

4

3

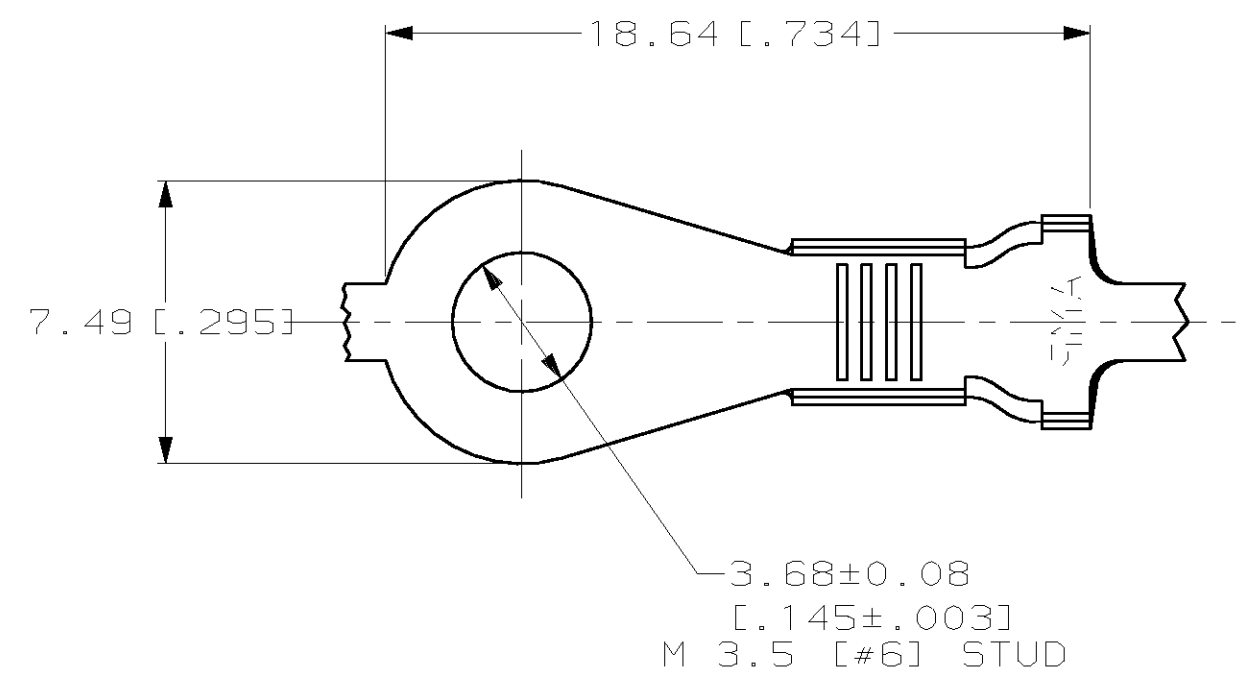
2

1

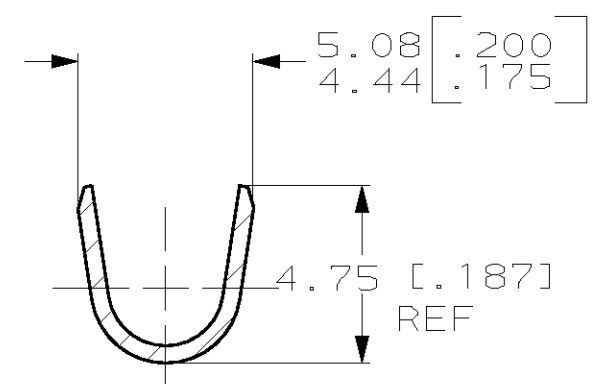
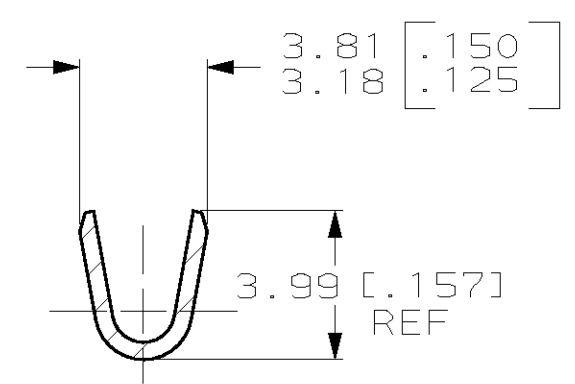
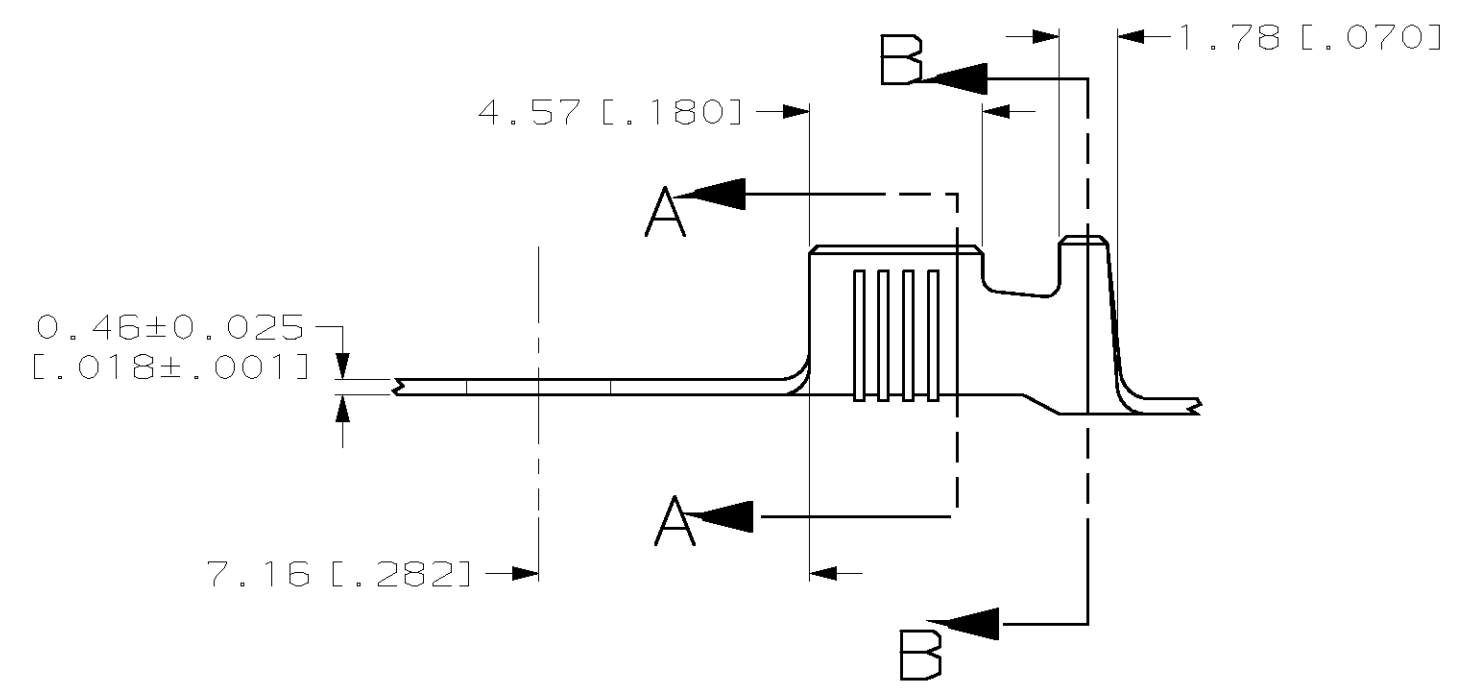
THIS DRAWING IS UNPUBLISHED. RELEASED FOR PUBLICATION, 19 .

© COPYRIGHT 19 BY AMP INCORPORATED. ALL RIGHTS RESERVED.

LOC	DIST	REVISIONS					
		P	LTR	DESCRIPTION	DATE	DWN	APVD
AF	50		H	REDRAWN PER 0G1A-0144-99	29JUN99	JR	DD



- 1 CONTINUOUS STRIP ON REELS.
- 2 WIRE SIZE IS [#18-#14] AWG
- 3 INSULATION RANGE IS 2.54-3.56 [.100-.140] DIA.
- 4 REELING WITH BBL5 UP.



SECTION A-A

SECTION B-B

TIN	60770-2
-	60770-1
FINISH	PART NO.

THIS DRAWING IS A CONTROLLED DOCUMENT.		DWN	JR RUTH	29JUN99	AMP Incorporated Harrisburg, PA 17105-3608
DIMENSIONS: MM [INCHES]		CHK	MS FEHER	29JUN99	
		APVD	D DECKER	29JUN99	
TOLERANCES UNLESS OTHERWISE SPECIFIED:		PRODUCT SPEC			
0 PLC ±- 1 PLC ±- 2 PLC ±0.38 [.015] 3 PLC ±- 4 PLC ±- ANGLES ±-		APPLICATION SPEC			NAME RING
MATERIAL 081 BRASS		FINISH SEE TABLE			
		WEIGHT -			SIZE A3
		CUSTOMER DRAWING			CAGE CODE 00779
					DRAWING NO C- 60770
					RESTRICTED TO -
					SCALE 5:1
					SHEET 1 OF 1
					REV H